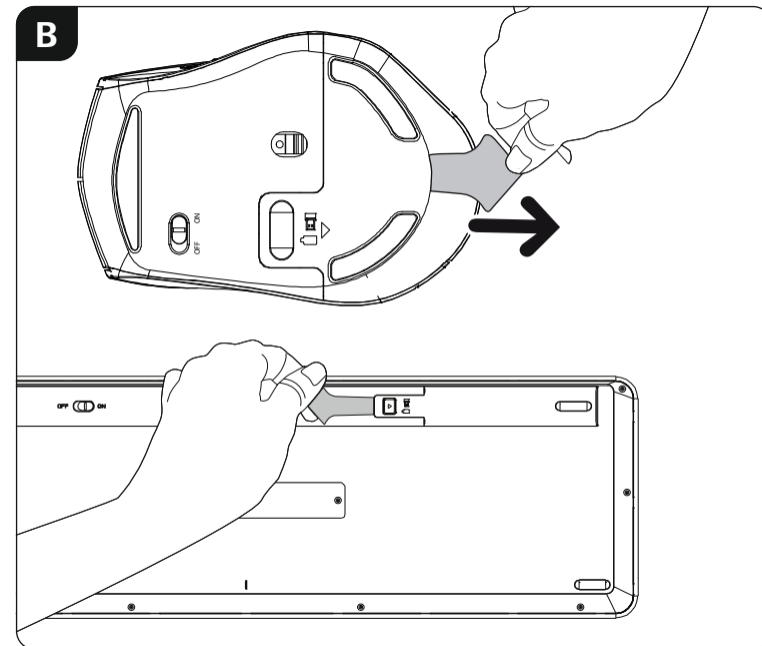
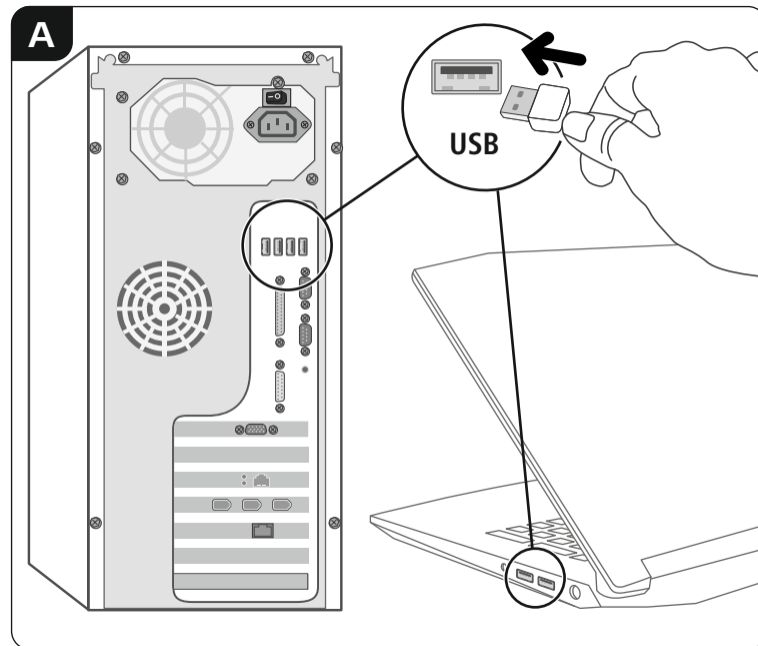
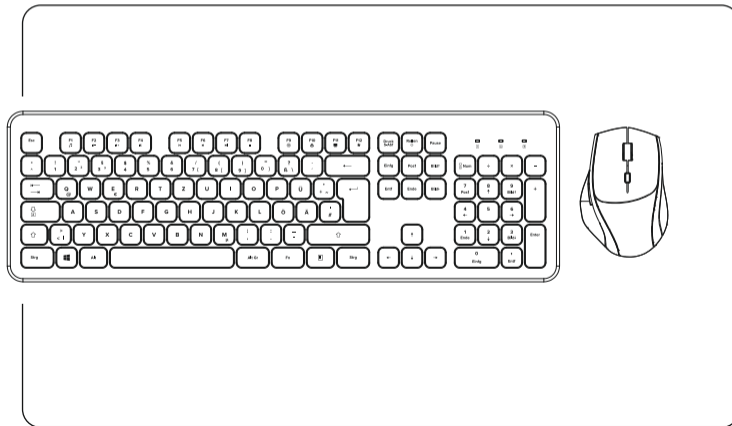


hama

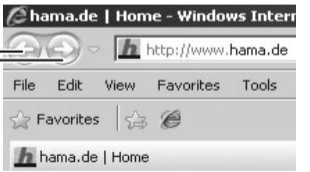
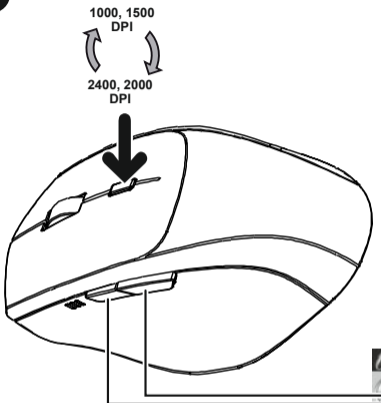
XX
182676/77

Keyboard & Mouse Set

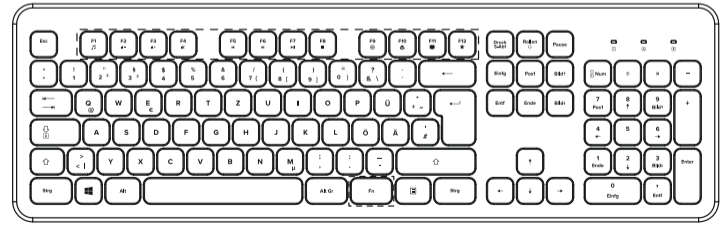
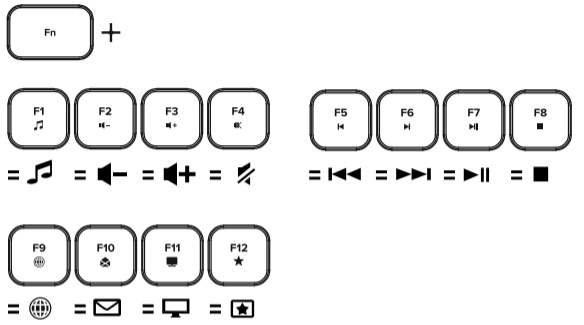
KMW-700



C



D



hama

Hama GmbH & Co KG
 86652 Monheim / Germany
 www.hama.com



www.hama.com/nep



PAP
 Raccolta Carta

All listed brands are trademarks of the corresponding companies. Errors and omissions excepted, and subject to technical changes. Our general terms of delivery and payment are applied.

CE

xx182676_77/07.22