

We are so happy you chose a
hama product.

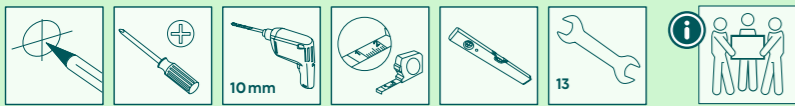
Enjoy using it!

hama



Quick Installation Guide

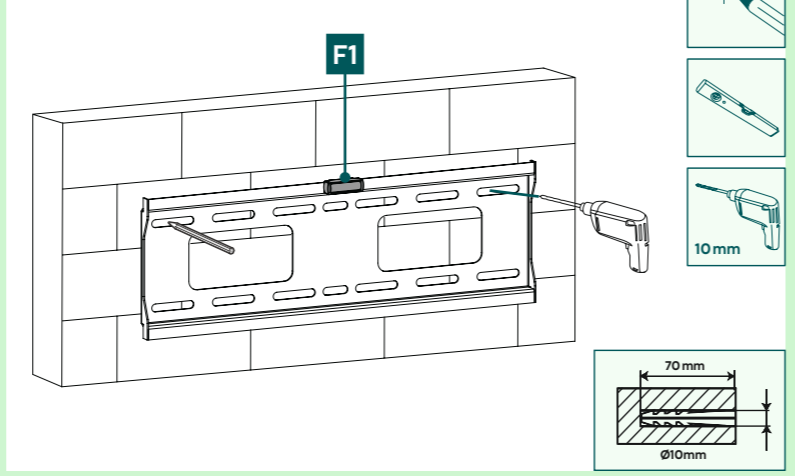
Required tools



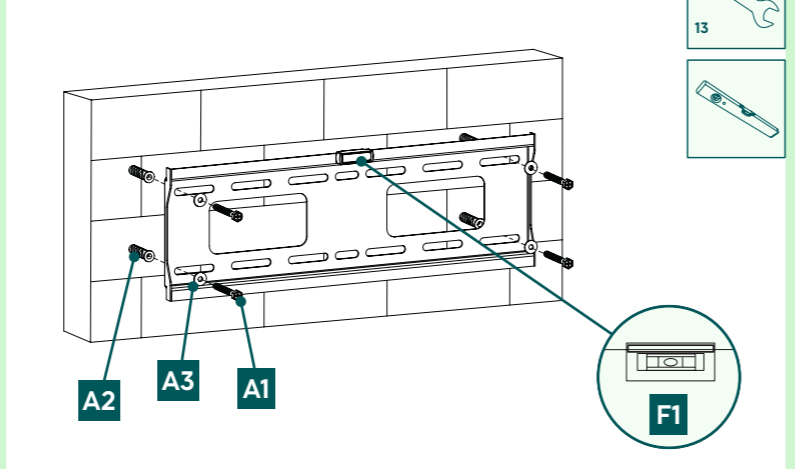
Installation kit

A1		8x65 (x4)	C2		M6x20 (x4)
A2		Ø10x60 (x4)	D1		M8x12 (x4)
A3		M8 (x4)	D2		M8x20 (x4)
B1		M6/M8 (x4)	D3		M8x30 (x4)
B2		Ø8x10 (x4)	D4		M8x50 (x4)
B3		Ø8x20 (x4)	F1		(x1)
C1		M6x12 (x4)			

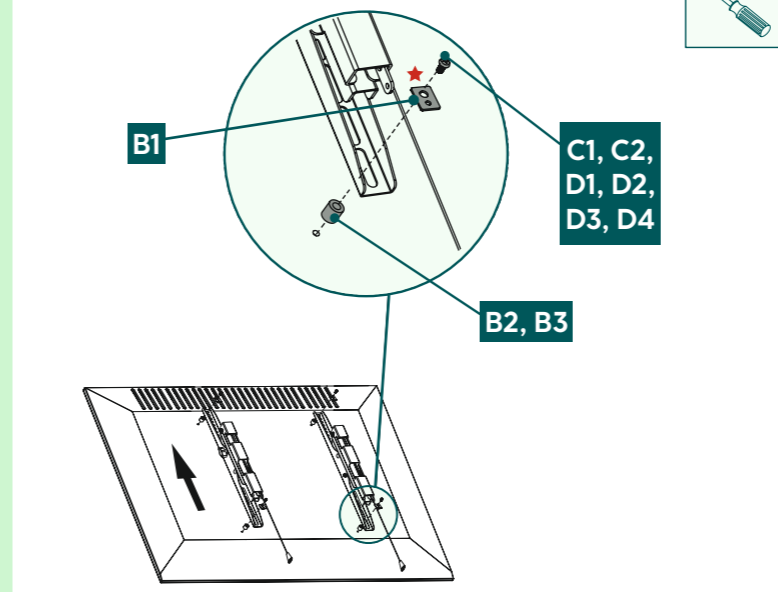
1a Drilling the holes



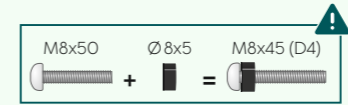
1b Wall mounting the bracket



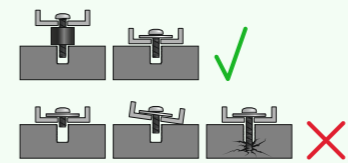
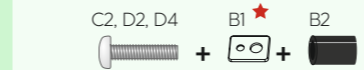
2 Mounting on backside of the TV



Flat TV backside

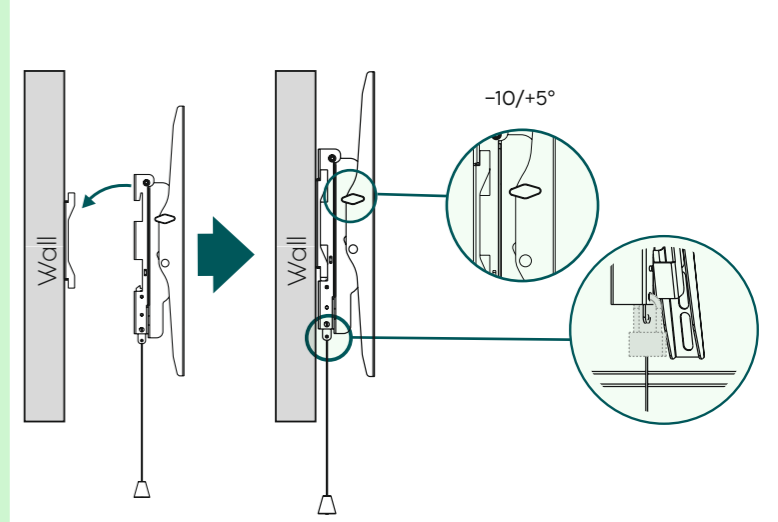


Curved TV backside



★ You do not need a washer for the D-screws

3 Adjustment & Fixing



Optionally:
safety lock (not included)

Do you need more help?



Scan QR or visit:
support.hama.com/00220862

